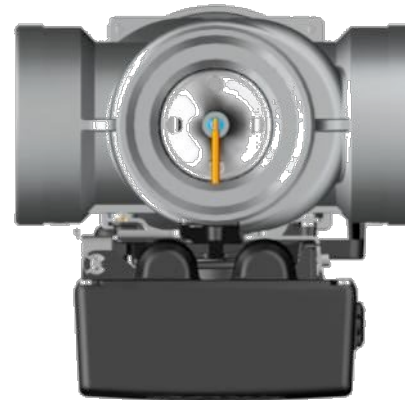


DRV40 & DRV80(II) Overview





DRV 40

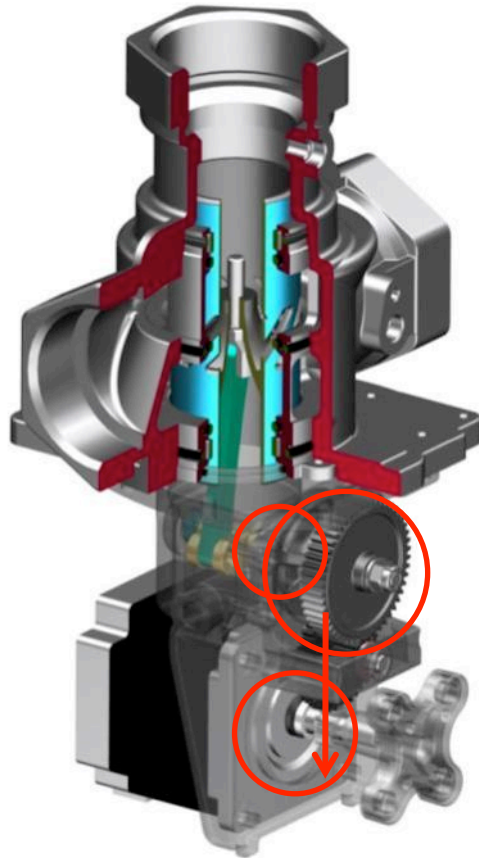


DRV 80(II)



DRV40 & DRV80(II) Overview

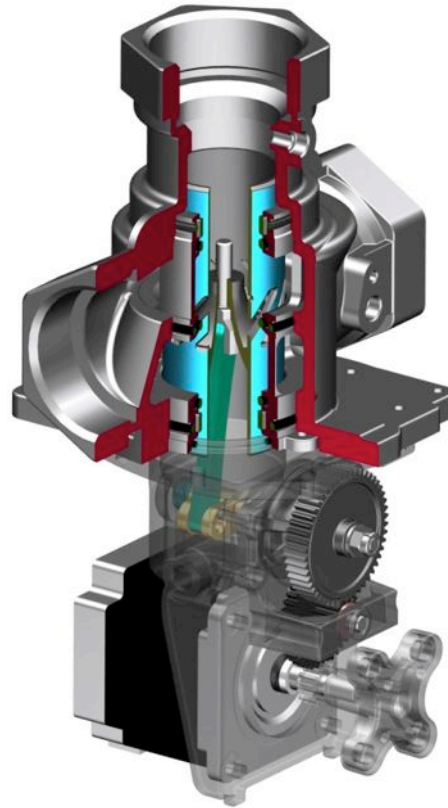
New Drive Mechanism and Sealing Arrangement



- Gear drive mechanism removes linear shaft seal.
- Single Rotary seal – Carbon/Ceramic technology.
- Motor mounted horizontally with additional sealing.
- Controlled leak path.



DRV40 & DRV80(II) Overview



(Click to play Video)

THE BOLD LOOK
OF KOHLER.

mira
SHOWERS

rada

DARYL
A KOHLER COMPANY

DRV40 & DRV80(II) Overview

Easier To Maintain - Separate electronics



- Isolate power and remove 2 screws to release electronics module.

- Can access main valve components for maintenance or repair.

- Electronics can be fully removed from hinges if necessary – Un-screw 2 connectors (Check power is isolated).

- Connectors have different lead length and different number of pins, therefore they can only be connected in correct socket.

DRV40 & DRV80(II) Overview

Easier To Maintain - Batteries easier to replace



- Remove 2 screws to access batteries.
- Accessible without removing electronics assembly.

DRV40 & DRV80(II) Overview

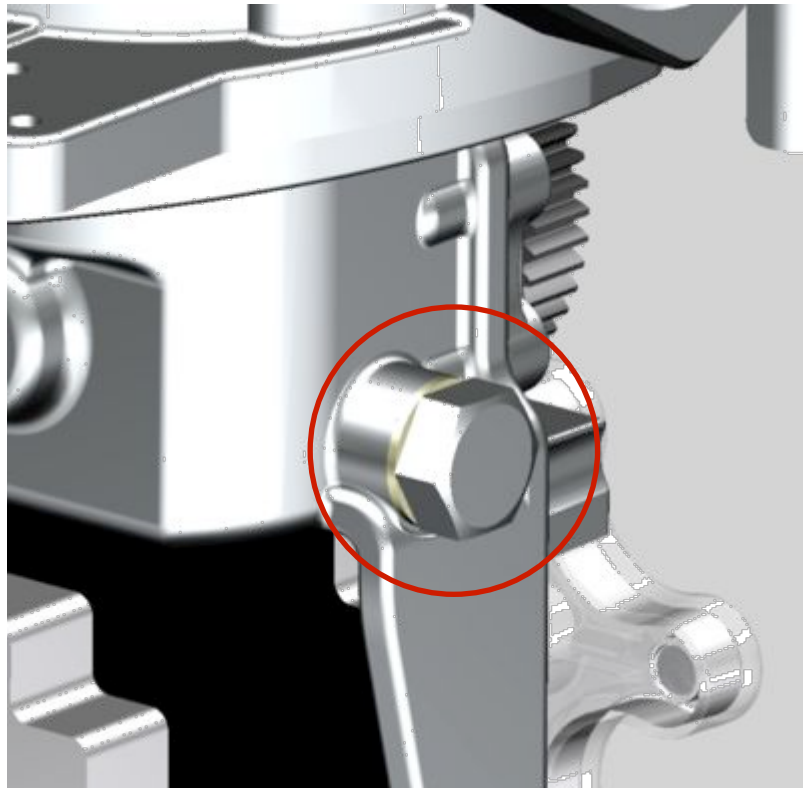
Easier To Maintain - Removable Seal Cartridge



- Easier to replace separator seals and slide rings.
- Valve can remain in situ, cartridge can be removed and serviced.

DRV40 & DRV80(II) Overview

Easier To Maintain - Water Drain

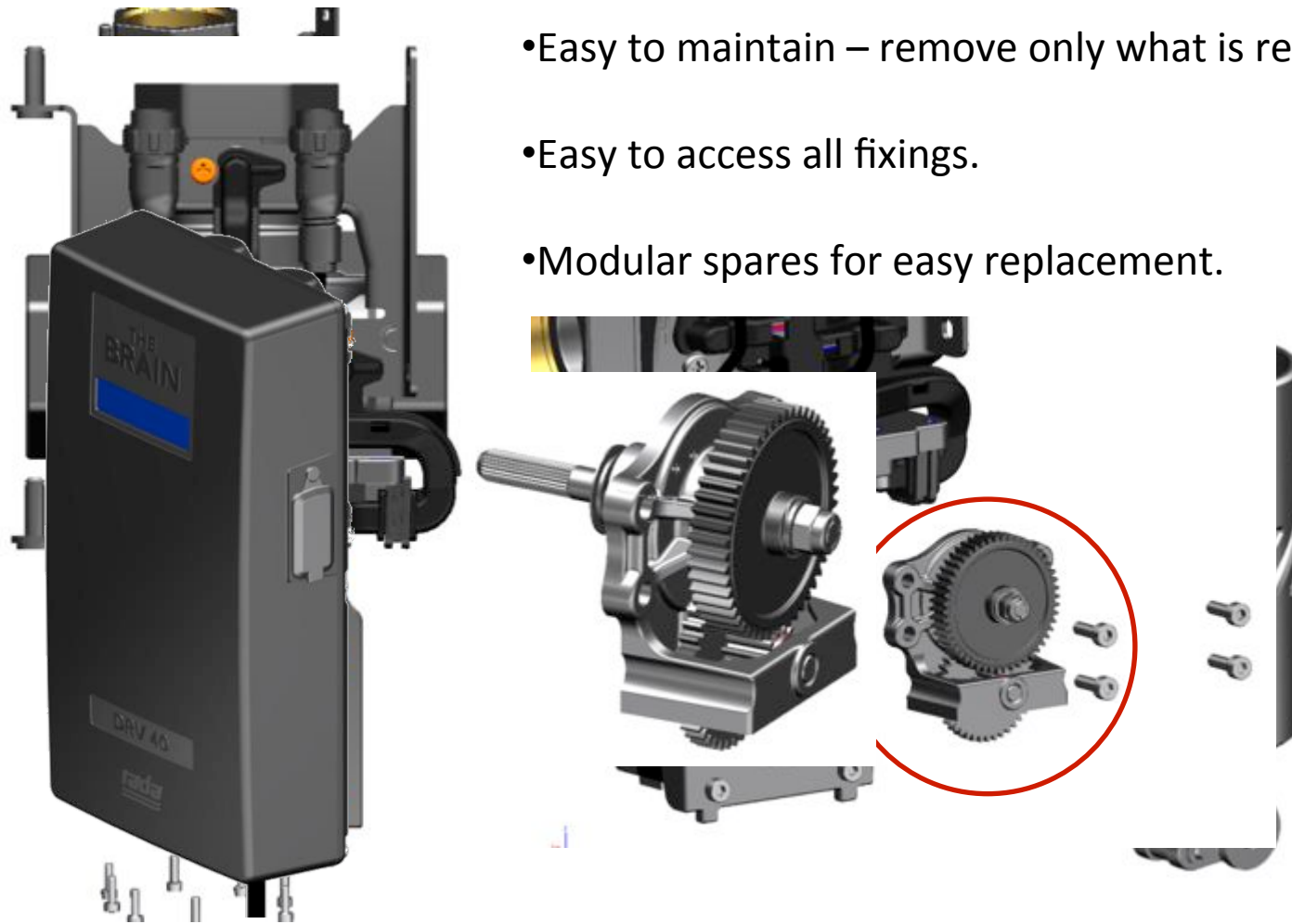


- Valve incorporates a drain plug to release water prior to servicing.

DRV40 & DRV80(II) Overview

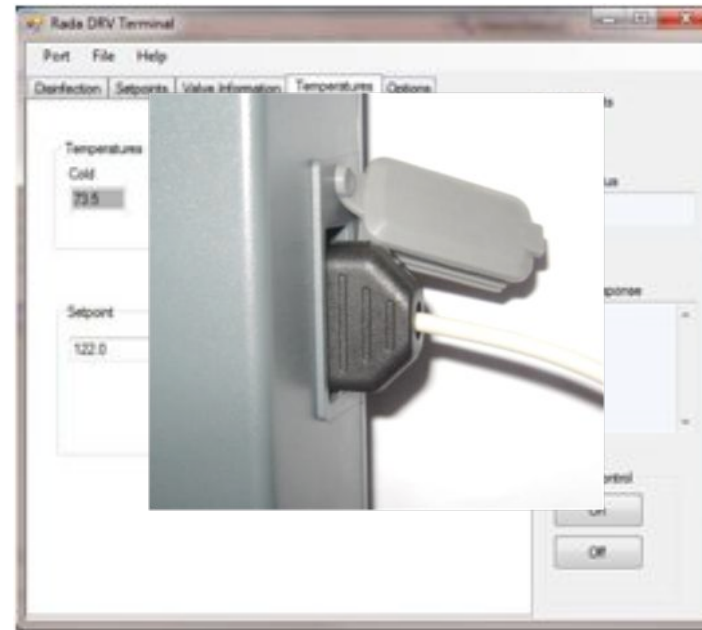
Maintenance & Modular spares

- Easy to maintain – remove only what is required.
- Easy to access all fixings.
- Modular spares for easy replacement.



DRV40 & DRV80(II) Overview

Connectivity - Laptop Serial Line connection



- Easy connection to serial port via laptop.
- Updated laptop software for valve setup.
- Valve re-programming.

DRV40 & DRV80(II) Overview

Internal Connectivity – Brainscan or MODUS

- Internal connector – switchable between MODBUS or Brainscan using laptop software.
- Pre-marked drill positions for cable glands for networking and relay outputs.

